



Head Mounted Smart Temperature Transmitter
Item NO.: KH213

Head Mounted Smart Temperature Transmitter

Head mounted temperature transmitter is used for resistance thermometer (RTD), thermocouple (TC), Resistance transmitter, voltage (mV) signal input, two wire 4-20mA analog output, mounted inside transmitter (form B)

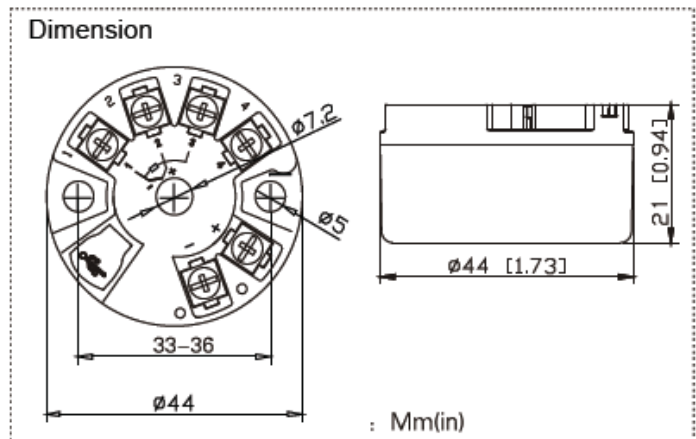
Function

- Transfer various kinds of input signal into 4-20mA output
- Input: RTD, Thermocouple
- Configuration by PC
- 2 kinds of resistance thermometer input (RTD)
- 8 kinds of thermocouple (TC)
- Built-in cold junction compensation



Smart Temperature Transmitter (Not Isolated) KH213

Input		Dimension	
Model	Type	Measuring Range	Min Range
RTD	Pt100	-200 to 850°C	10K
	Cu50	-50 to 150°C	10K
TC	B	400 to 1820°C	500K
	E	-100 to 1000°C	50K
	J	-100 to 1200°C	50K
	K	-180 to 1372°C	50K
	N	-180 to 1300°C	50K
	R	-50 to 1760°C	500K
	S	-50 to 1760°C	500K
T	-200 to 400°C	50K	



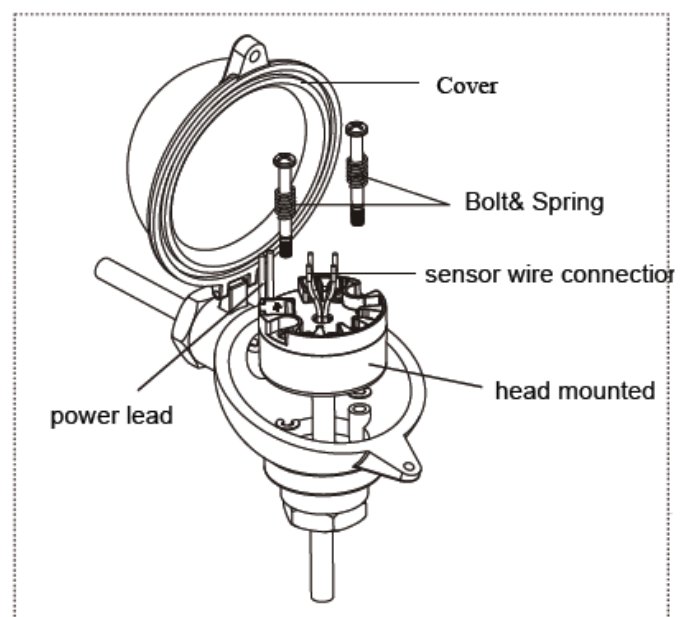
Installation

Configuration



Technical Parameter

- Output Signal: 4-20mA
- Max Load: max. (V power supply-7.5V)/0.022A (current)
- Measurement: tempt-linearity, resistance-linearity, voltage
- Circuit limit: $\leq 22\text{Ma}$
- Response time: $\leq 1\text{second}$
- Saturation current: Low side 3.9mA, high side 20.5mA



- Alarm current: sensor danger or sensor turnoff output is 3.9mA or 22mA(except TC)
- Accuracy: 0.1%FS
- Measuring accuracy is related to measuring range
- Power supply: $U=12V$ to $40V$
- Working temperature: -40 to $85^{\circ}C$
- Storage temperature: -40 to $100^{\circ}C$
- Condensation: Allowable
- Protection: IP00; IP66 (mounted)
- Earthquake resistance: $4g/2$ to $150HZ$
- Voltage effect: can ignore
- Mounted angle: no limit
- Mount area: top of B type box

Wire Connection

