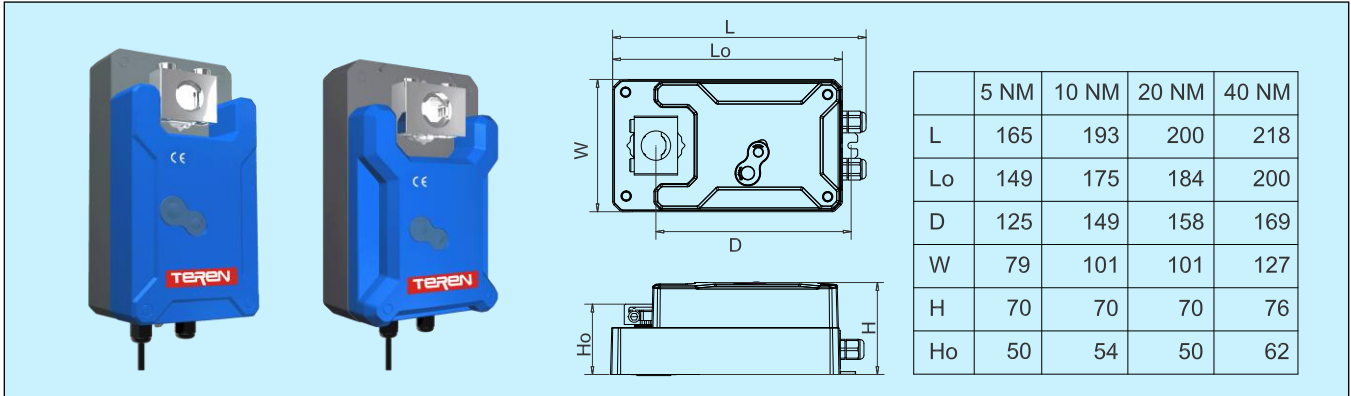


DA Damper Actuator



Applications & Features

- Special designed for damper or ball valve control in HVAC system
- Assembling: Easily connect damper or ball valve and actuator with allen screw
- Long life: The design makes the actuator get longer life
- Manual: It can be manual operated with the button
- Safety: The actuator has overload protection design and does not need any limit switch
- High-level protection and low noise: up to IP65

Specifications

Torque: 5/10/20/40Nm

Direction of rotation: set by switch

Position indicator: mechanical

Manual override: set by push button

Angle of rotation: max. 95°

Power: 24VAC/DC:

19.2~28.8V AC/DC

power 3W, hold 1W

protection: class III-low voltage safe

110~220VAC:

95~265V, 50/60Hz

power 3.5W, hold 1W

protection: class II-totally insulated

Control Signal: on/off, 3 pos

0~10VDC (input impedance 250KΩ)

4~20 mA (input impedance 200Ω)

Feedback Signal: SPDT/250V, 3A

0~10VDC (Max. 1mA)

4~20mA (Max. 500Ω)

Connecting: cable, 1m 3 x 0.75mm² or 4 x 0.5mm²

Mode of operation: Type1 to EN60730-1

Work temp.: -30~+50°C, 95%RH, no condensing

Storage temp.: -40~+80°C

Protection: up to IP65(IP54 – DA05)

Approval: CE

Spindle Die:

Torque	Circular axial diameter	Square axial dimension	Shortest axial length
5Nm	6-18mm	4.5-12.5mm	50mm
10Nm	8-20mm	5.8-14.0mm	54mm
20Nm	8-20mm	5.8-14.0mm	50mm
40Nm	14-26mm	10.0-18.2mm	62mm

General parameters:

Torque	Weight	Noise level	Running time	Suggest damper area
5 Nm	0.8kg	< 30dB	120s	< 0.8m ²
10 Nm	1.1kg	< 40dB	120s	< 1.5 m ²
20 Nm	1.2kg	< 40dB	150s	< 3.5 m ²
40 Nm	1.75kg	< 45dB	150s	< 7.0 m ²

Re: Suggest damper area is for general application, Torque calculation should be different according to specific damper structure, installation and air flow condition

Models

Model	DA				Damper Actuator
Torque		05			5Nm
		10			10Nm
		20			20Nm
		40			40Nm
Power			0		24VAC/DC
			1		110/220VAC
Control signal				0	on/off,3pos
				1	0~10VDC
				2	4~20mA
Feedback signal				1	0~10VDC
				2	4~20mA
				3	1 SPDT/250V,3A
				4	2 SPDT/250V,3A

Re: If control signal is 0, feedback may be 3 or 4,

If control signal is 1, feedback may be 1,

If control signal is 2, feedback may be 2.